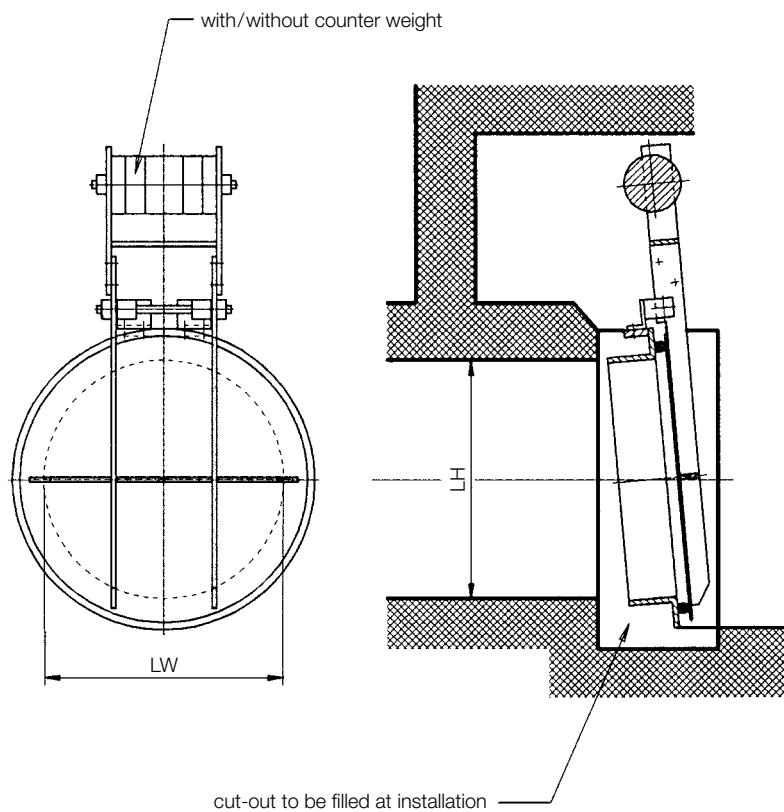


Wey Flap Valve 6.4.1

3.7.11



LW	Width	_____ mm
LH	Height	_____ mm
▼	Max. water pressure	_____ mm

Standard construction

Frame	material 1.4404
Flap	material 1.4404
Bearing	Sleeve bearing
Weight	Steel zincplated

Special designs on request

Cut-Out

